



# R e m o t e   a i r   v a l v e s

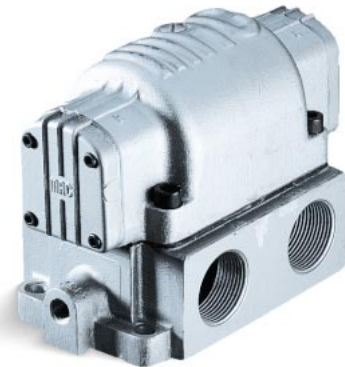
## Individual mounting



Function	Port size	Flow (Max)	Individual mounting
<b>4/2 - 4/3</b>	<b>G3/4" - G1" - G1 1/4" - G1 1/2"</b>	<b>15900 NI/Min</b>	sub-base

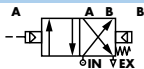
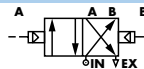
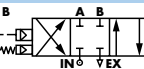

**OPERATIONAL BENEFITS**

1. Balanced spool, immune to variations of pressure.
2. Short stroke with high flow.
3. The piston (booster) provides maximum shifting forces.
4. Powerful return thanks to the combination of mechanical and air springs.
5. Bonded spool with minimum friction, shifting in a glass-like finished bore.
6. Wiping effect eliminates sticking.
7. Low leakage rate.



**HOW TO ORDER**

Reset

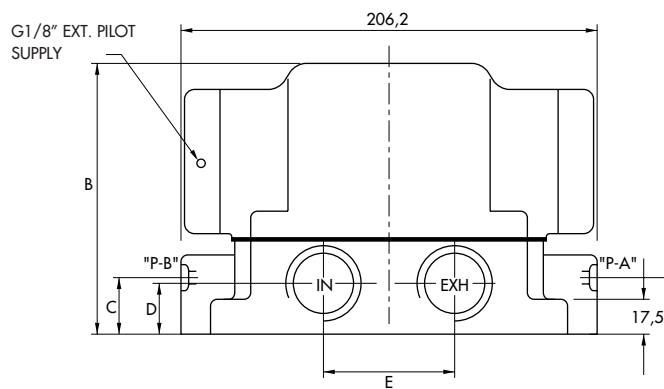
Port size	Pilot air	4/2 Single operator	4/2 Double operator	4/3 Closed centre	4/3 Open centre
					
<b>Valve less base</b>					
<b>Sub-base G3/4"</b>	Internal	2701G-3	2703G-3	2707G-3	2708G-3
<b>Sub-base G1"</b>		2721G-3	2723G-3	2727G-3	2728G-3
<b>Sub-base G1 1/4"</b>		2731G-3	2733G-3	2737G-3	2738G-3
<b>Sub-base G1 1/4"</b>		2751G-3	2753G-3	2757G-3	2758G-3
<b>Sub-base G1 1/2"</b>		2761G-3	2763G-3	2767G-3	2768G-3
<b>Valve less base</b>	External				
<b>Sub-base G3/4"</b>		2701G-4	2703G-4	2707G-4	2708G-4
<b>Sub-base G1"</b>		2721G-4	2723G-4	2727G-4	2728G-4
<b>Sub-base G1 1/4"</b>		2731G-4	2733G-4	2737G-4	2738G-4
<b>Sub-base G1 1/2"</b>		2751G-4	2753G-4	2757G-4	2758G-4
<b>Sub-base G1 1/2"</b>	2761G-4	2763G-4	2767G-4	2768G-4	

**TECHNICAL  
DATA**

<b>Fluid :</b>	Compressed air, vacuum, inert gases
<b>Pressure range :</b>	Vacuum to 10 bar
<b>Air signal pressure :</b>	Single operator and 3 positions : 1.8 to 10 bar $\geq$ main valve pressure      Double operator : 0.7 to 10 bar
<b>Lubrication :</b>	Not required, if used select a medium aniline point lubricant (between 80°C and 100°C)
<b>Filtration :</b>	40 $\mu$
<b>Temperature range :</b>	-18°C to +50°C
<b>Orifice :</b>	35 mm
<b>Flow (at 6 bar, <math>\Delta P=1</math>bar) :</b>	G 3/4" : 11500 NL/min (C <sub>v</sub> 11.5) - G 1" : 13400 NL/min (C <sub>v</sub> 13.4) - G 1 1/4" : 15400 NL/min (C <sub>v</sub> 15.4) - G 1 1/2" : 15900 NL/min (C <sub>v</sub> 15.9)
<b>Leak rate :</b>	100 cm <sup>3</sup> /min

- Spare parts :      • Remote air operator : R-0016B. • Pressure seal between valve and base : 16083. • Mounting screw valve to base (x4) : 32214.
- Options :            • NPTF threads.

**DIMENSIONS**



PORT SIZE	A	B	C	D	E
<b>G3/4"</b>	95,3	132,3	28,4	25,4	63,5
<b>G1"</b>					
<b>G1 1/4"</b>	114,3	148,3	23,9	30,2	76,2
<b>G1 1/2"</b>					69,9

